

## DIN Rail RS-232/RS-485 ↔ Fiber Driver

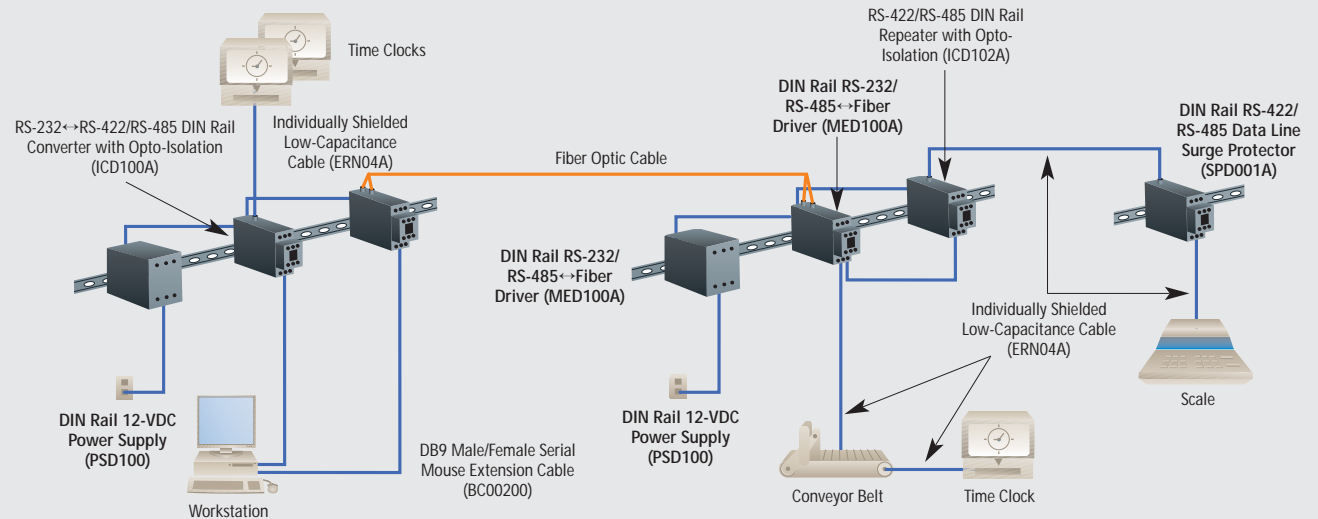


Put your industrial communications on the right track  
with this convenient DIN rail fiber driver.

## FEATURES

- Enables any two async serial devices to communicate half- or full-duplex over two multimode ST® fibers at distances up to 2.5 miles (4 km).
- RS-232 signals are supported up to 115.2 kbps; RS-422 or RS-485 signals are supported up to 460.8 kbps.
- Replaces converters and isolators when you connect remote equipment.

Put your industrial communications on the right track with this DIN rail solution!



## Technically Speaking

### DIN rail usage.

DIN rail is an industry-standard metal rail, usually installed inside an electrical enclosure, which serves as a mount for small electrical devices specially designed for use with DIN rails. These devices snap right onto the rails, sometimes requiring a set screw, and are then wired together.

Many different devices are available for mounting on DIN rails: terminal blocks, interface converters, media converter switches, repeaters, surge protectors, PLCs, fuses, or power supplies, just to name a few.

DIN rails are a space-saving way to accommodate components. And because DIN rail devices are so easy to install, replace, maintain, and inspect, this is an exceptionally convenient system that has become very popular in recent years.

A standard DIN rail is 35 millimeters wide with raised-lip edges, its dimensions outlined by the Deutsche Institut für Normung, a German standardization body. Rails are generally available in aluminum or steel and may be cut for installation. Depending on the requirements of the mounted components, the rail may need to be grounded.

## TECH SPECS

**Distance (Maximum)** — 2.5 mi. (4 km)

**Operation** — RS-232: Half- or full-duplex;

RS-485: 2-wire half-duplex or 4-wire full-duplex;

RS-422: Full-duplex;

Fiber ring: Half-duplex over multimode; all transmissions are async

**Speed** — RS-232: Up to 115.2 kbps;

RS-422/RS-485: Up to 460.8 kbps

**CE Approval** — Yes

**Connectors** — (2) 6-position terminal blocks, (1) pair of ST

**Operating Environment** — Temperature: -40 to +176°F (-40 to +80°C);

Humidity: Up to 95% noncondensing

**Power** — 10–30 VDC, 140 mA

**Size** — 1" H x 2.3" W x 4.3" D (2.5 x 5.8 x 10.9 cm)

Item	Code
DIN Rail RS-232/RS-485↔Fiber Driver	<b>MED100A</b>
<b>You may also need...</b>	
DIN Rail, 1-m (3.2-ft.)	<b>DR100</b>
DB25 to Terminal Block Adapter	<b>IC980</b>
DIN Rail RS-422/RS-485 Data Line Surge Protector	<b>SPD001A</b>
<b>To power four fiber drivers, order...</b>	
DIN Rail 12-VDC Power Supply	<b>PSD100</b>