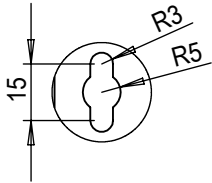


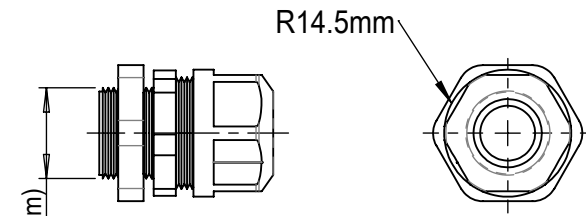
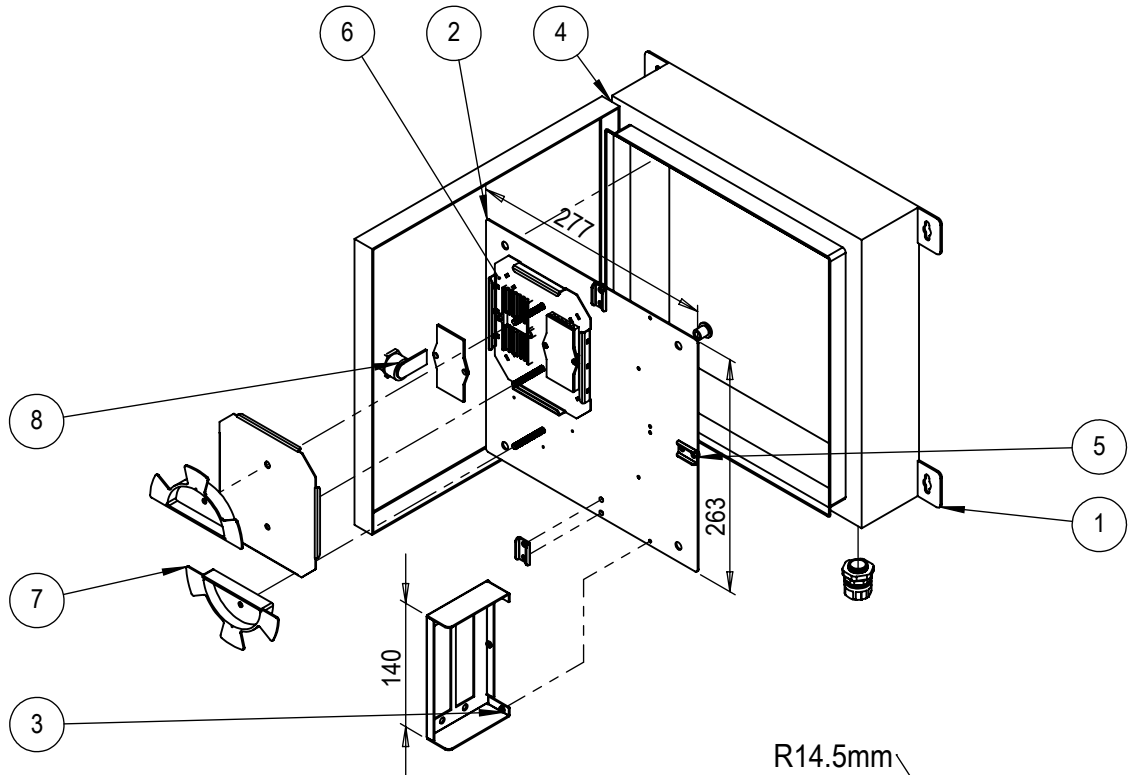
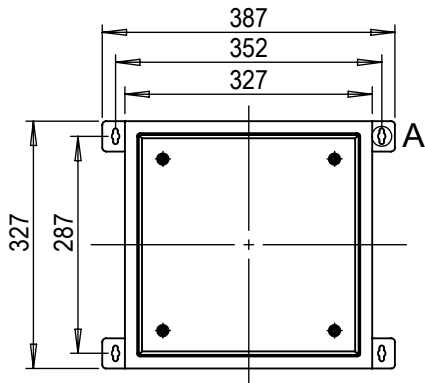
FILE NO.	8
PART NO.	JPM4001A-R2

REV.	DESCRIPTION	DATE	ECO No.	APPV'D
A	RELEASE TO PRODUCT	2010/08/16		JENEWEI
B	CHANGE OUTER DIM	2014/07/15		NAP.CHEN
C	ADD DIM	2014/11/12		NAP.CHEN

- NOTE :**
- 1.MATERIAL : SPCC , t=1.5m/m=0.059in=16ga.
 - 2.FINISH : POWDER COATING.
 - 3.COLOR : BLACK.
 - 4.LISTING : IP-55 , NEMA 4.
 - 5.WEIGHT:
6.4 kg
13.9 lb.
 - 6.B.BOX P/N : JPM4001A-R2.
 - 7.MOUNTING HOLE DIMEMSION:



8.SIZE OVERALL MESUREMENT (WITH EAR): 387x327x100mm .



GROMMET HOLE: ϕ 20mm
 MAX. for the FIBER: ϕ 14mm
 MIN. for the FIBER: ϕ 6mm

ITEM	DESCRIPTION	QTY
1	BODY	1
2	PLATE	1
3	PANEL	1
4	FRONT DOOR	1
5	KEVLAR CLAMP	3
6	SPLICE TRAY	1
7	SPOOL	2
8	CAM LOCK	1

UNIT:Milimeter

MATERIAL		SIGNATURE	DATE	Another quality product from BLACK BOX <small>INTERNATIONAL CORPORATION</small> 20176-5026 • www.blackbox.com	
QUANTITY		DRAWN	MARS		2014/11/12
		PROJECT ENGINEER	MARS		2014/11/12
		CHECKED	DAVID		2014/11/12
		APPROVED	NAP CHEN	2014/11/12	DWG. NAME NEMA RATED FIBER ENCLOSURE 2 ADAPTOR PANEL
		DRAWING MANAGER	NAP CHEN	2014/11/12	
				SCALE: N/A	SIZE DWG. NO. JPM4001A-R2 2014/11/12
					REV. C SHEET 1 OF 1