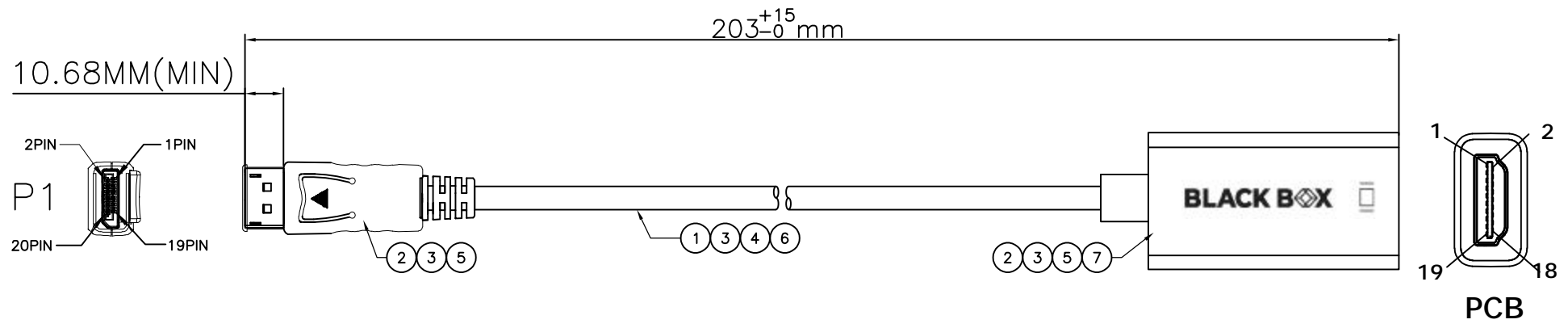


REVISIONS		
Rev	DESCRIPTION	DATE
A	INITIAL RELEASE	2024.01.22

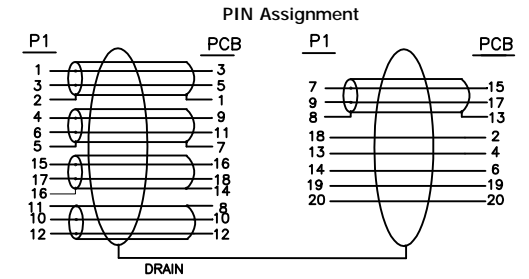


ELECTRICAL TEST :

- 1.100% OPEN & SHORT & MIS WIRE TEST
- 2.CONTACT RESISTANCE: 2 OHM(MAX)
- 3.INSULATION RESISTANCE:10M OHM(MIN)
- 4.HI-POT TEST:DC 300V/10ms
- 5.100% of image Test

PRODUCT SPECIFICATIONS :

- 1.Connector Type: DisplayPort MALE TO HDMI FEMALE
- 2.Connector Plating and Material:
Display Port to HDMI Adapter HDMI Plug Nickel Plated Terminal+PCB
DisplayPort M Shell Nickel Plated Terminal Gold Plated 3U" Black Insulation
- 3.Color: Black connectors
- 4.RoHS 2.0: Yes
- 5.Resolution Supported: 1920X1080P / 60Hz
- 6.Cable Specifications:
DISPLAY PORT UL20276[34AWG(7/0.06TC)*1P+EAM]*5C+32AWG(7/0.08TC)*5C+AEB
(16/5/0.12MM 85%AL) OD:4.5MM Black
- 7.Passive Adapter Supports TMDS
- 8.Made in Vietnam



The information contained in this document is the sole property of Black Box Corporation of Pennsylvania. Any reproduction in part or whole without the written permission of Black Box Corp. is prohibited.

©Copyright 2012 Black Box Corporation of Pennsylvania d/b/a Black Box Network Services. All Rights Reserved.

UNLESS OTHERWISE SPECIFIED:
DIMENSIONS ARE IN INCHES
TOLERANCES:
FRACTIONAL ±
ANGULAR: MACH ± BEND ±
TWO PLACE DECIMAL ±
THREE PLACE DECIMAL ±

INTERPRET GEOMETRIC TOLERANCING PER

MATERIAL
CRS

FINISH
POWDER COAT

DO NOT SCALE DRAWING



DRAWN		NAME	DATE	TITLE:
DongMI			01/22/2024	DP to HDMI Adapter DP1.1,HDMI1.3,Passive,ABS Housing- Made in Vietnam
CHECKED	ENG APPR.	COMMENTS:		REV
				A
SIZE	DWG. NO.	SCALE: 1:1		SHEET 1 OF 1
B	EVNDPHDMI-MF-R4			